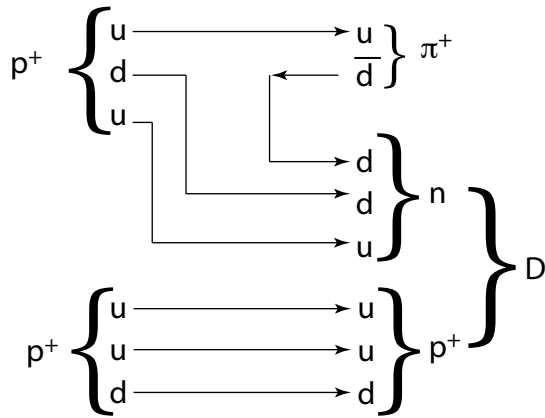


## *Particles Solution*

1.  $\pi^-$  Charge: -1, Baryon Number: 0, Spin: 1
2. Charge: +1, Baryon Number: 0, and Lepton Number: 0
4. Baryon and Lepton numbers are not conserved.
5. baryon number: 0, Lepton number: +1, Fermion. Electric charge: -1.
- 6.



7.

